



INSTITUTIONAL EQUIPMENT, INC.

◆ Foodservice ◆ Architectural ◆ Fabrication ◆ Installation

CUSTOM S/S TOPS

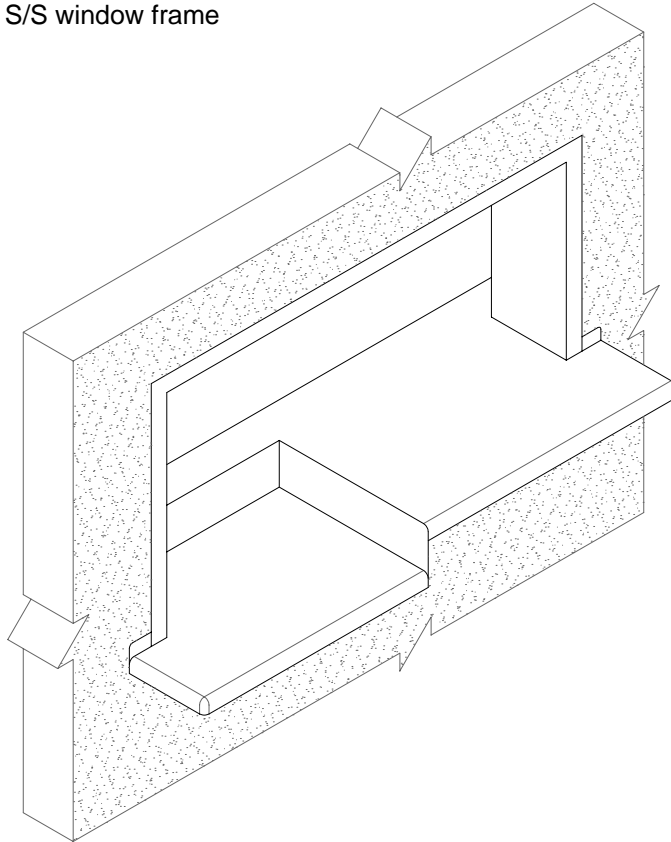
Job Name: _____

Item No.: _____

STAINLESS STEEL TOPS

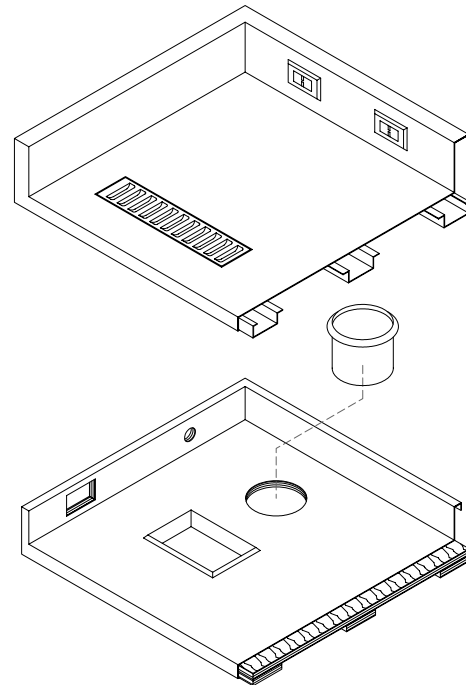
S/S Pass Through Sill

Interior to Exterior, with ADA recess, and
S/S window frame



S/S Top, Steel Support

Shown with splash mounted receptacles,
and drip trough



S/S Top, Wood Substrate

Shown with splash cutouts, trash chute,
and die-raised edge rectangular cutout

- ◆ Custom Stainless Steel Tops built to specification
- ◆ Counters, Tables, Pass Thru Sills and Window frames
- ◆ Professional installation and pattern making
- ◆ Tops custom fitted to existing wood substrate or provided with wood substrate by IEI
- ◆ In lieu of wood substrate, galvanized or stainless steel box channel support options
- ◆ #4 brushed finish standard, Mirror polish, Swirl finish, or custom finishing available
- ◆ Tops are Laser cut, special radius, contour cuts, and laser etching available.
- ◆ 16 Gauge standard, 18, 14, or 12 gauge optional
- ◆ Integral custom sink, drip trough, drop-in equipment cutouts available
- ◆ Backsplash may include receptacles, electrical connection boxes, or plumbing knockouts
- ◆ Top cutouts: Circles, ovals, rectangles, flush, embossed, die-raised edge, and chute extensions





INSTITUTIONAL EQUIPMENT, INC.

◆ Foodservice ◆ Architectural ◆ Fabrication ◆ Installation

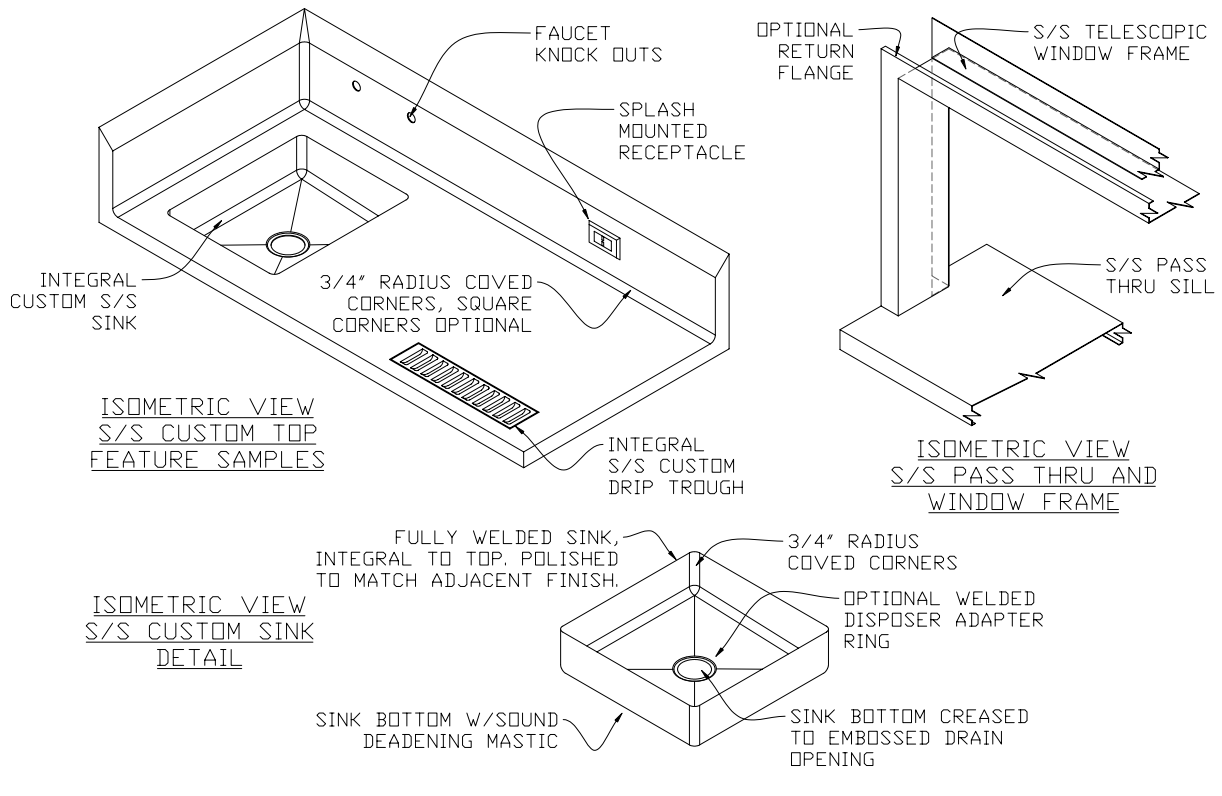
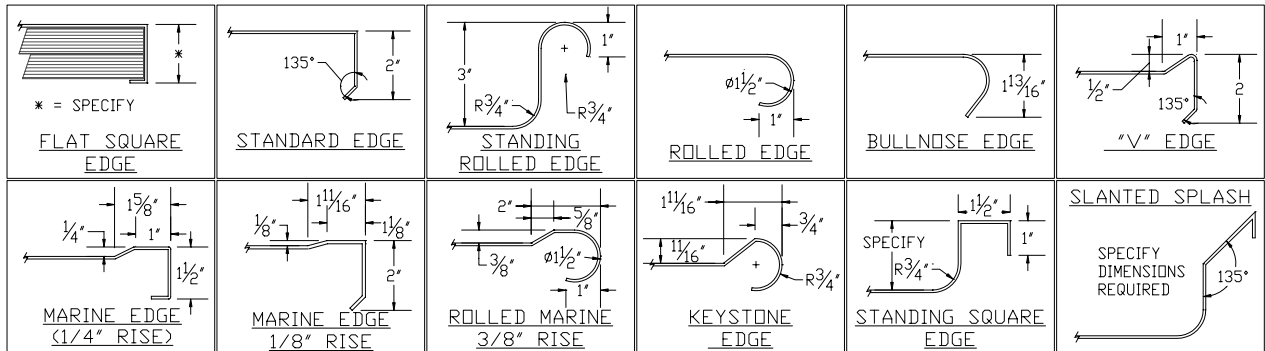
CUSTOM S/S TOPS

Job Name: _____

Item No.: _____

S/S CUSTOM TOP FEATURES

STANDARD EDGE OPTIONS OR WILL CONSTRUCT TO SPECIFICATION



Institutional Equipment, Inc. is a custom steel fabricator and equipment installer located in the Chicagoland area. Products include a full range of custom foodservice equipment, architectural elements crafted to specification, and custom stainless steel tables, countertops, and cabinetry. We are a versatile manufacturer specializing in quick turn production, designed to specification, offering professional, licensed, bonded installation.